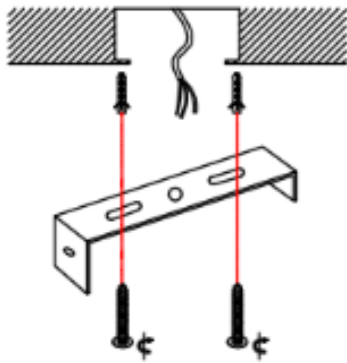
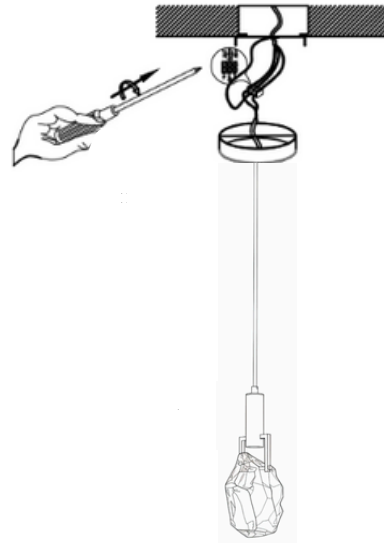


Installation Manual (Natalia Pendant Lamp)

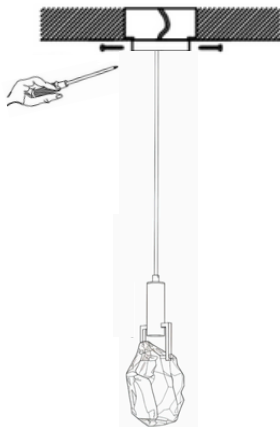
Step 1: Install the hanging board



Step 2: Connect the wires of the lamp body to the 110V power supply.



Step 3: Carefully lift the lamp body and fix the hanging board to the ceiling with screws.



Step 4: Switch ON the lamp and confirm proper operation and stability.

